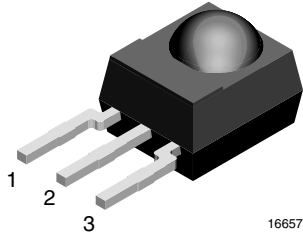


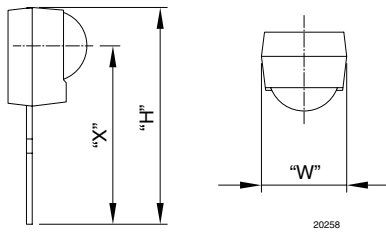
IR Receiver Modules for Remote Control Systems


FEATURES

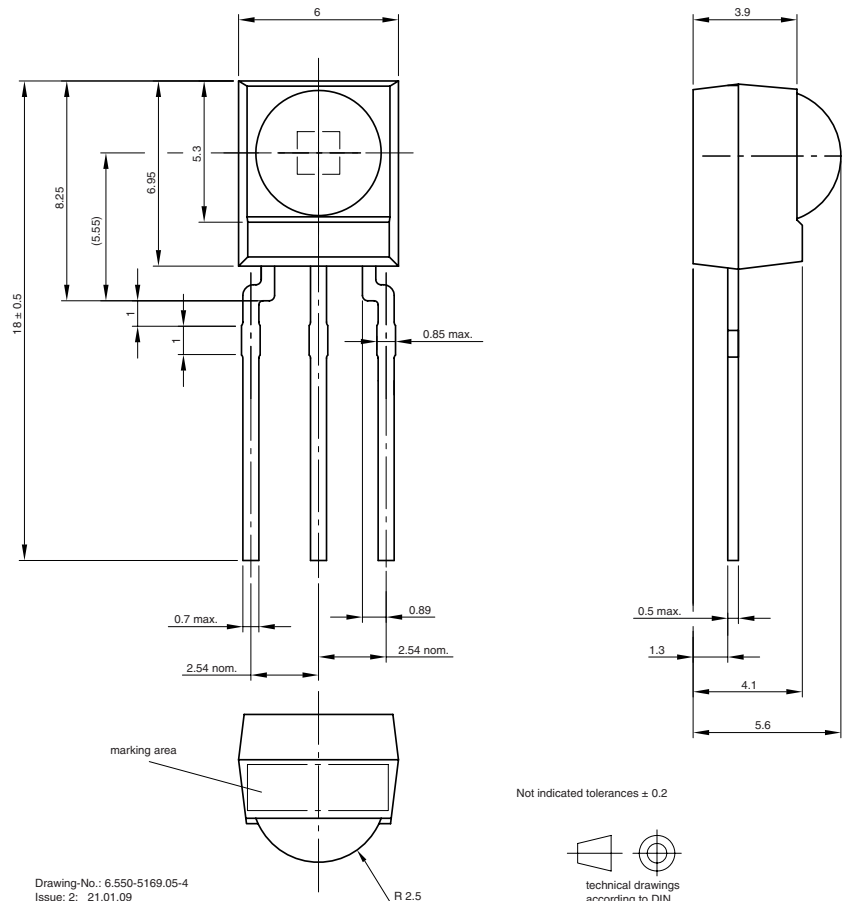
- Compliant to RoHS directive 2002/95/EC and in accordance to WEEE 2002/96/EC


AVAILABLE FOR:

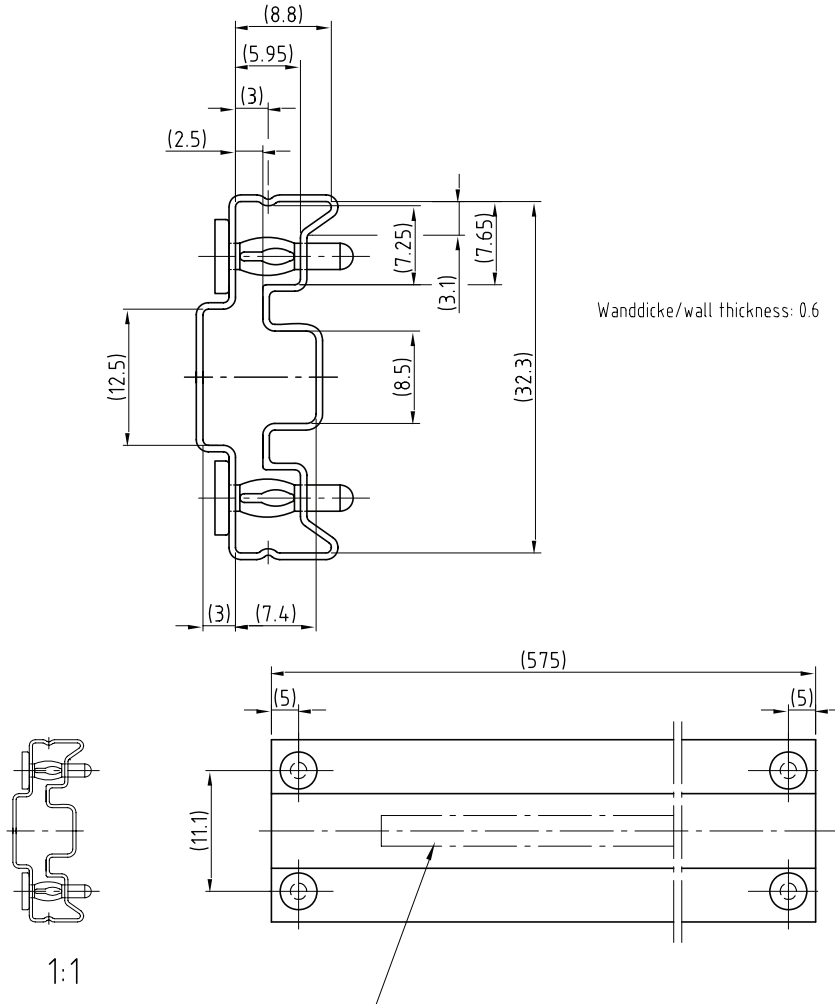
- TSOP34...
- TSOP4....
- TSOP32...
- TSOP2....


RoHS
COMPLIANT


NAME	LENS AXIS (X)	VIEW	TYPE	HEIGHT (H)	WIDTH (W)	DEPTH (D)
DB1	15.3		Cut	18	6	

MECHANICAL DIMENSIONS in millimeters


PACKAGING DIMENSIONS in millimeters

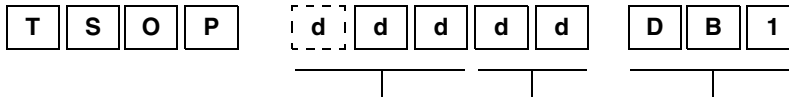


Wanddicke/wall thickness: 0.6

Drawing-No.: 9.700-5185.0-4
Rev. 13; Date: 20.11.03
20273-1

Druck / Printing for tubes
1.400-5548.0-3 Version 1

ORDERING INFORMATION



2 or 3 digit product series 2 digit frequency Holder type

Note

d = "digit", please consult the list of available series on the previous page to create a valid part number.

Example: TSOP14838DB1

PACKING QUANTITY

- 90 pieces per tube
- 24 tubes per carton